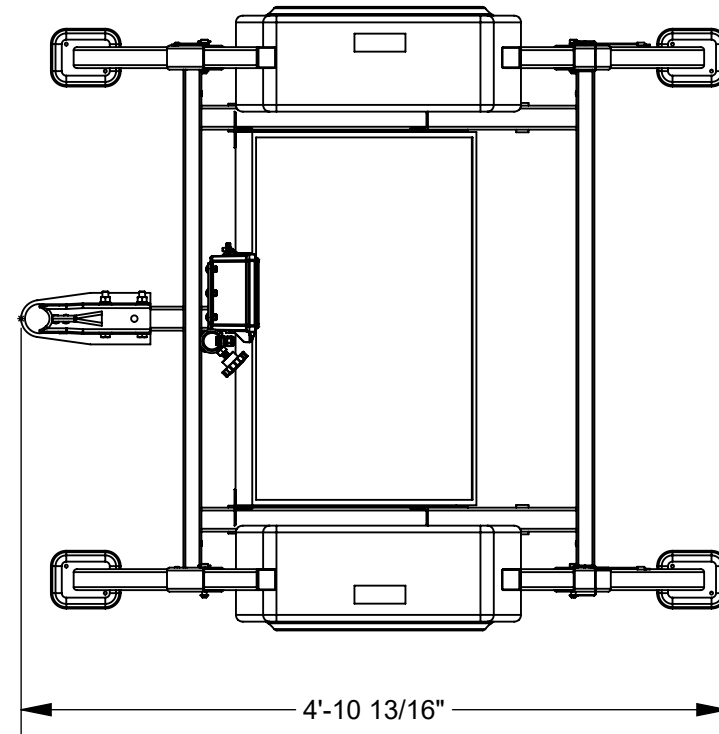
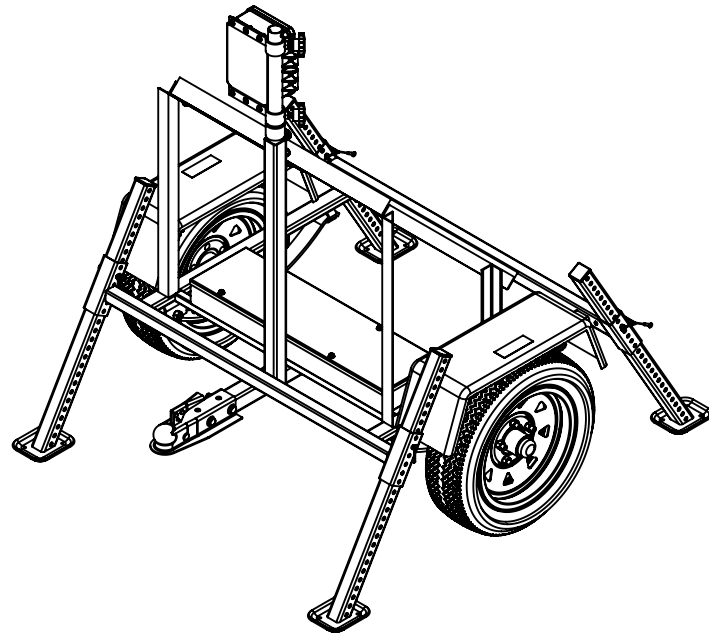
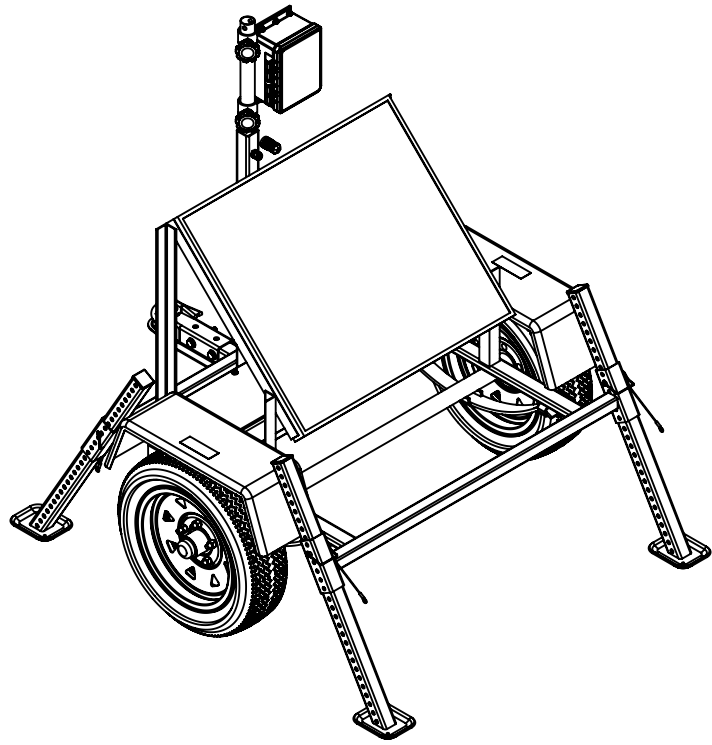


8 7 6 5 4 3 2 1

D

D

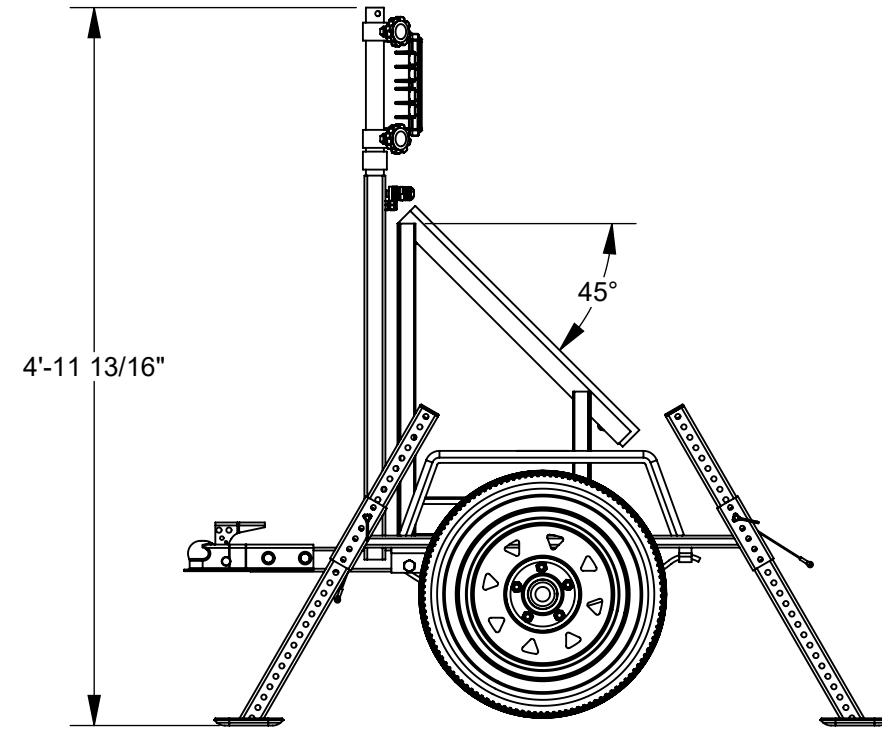
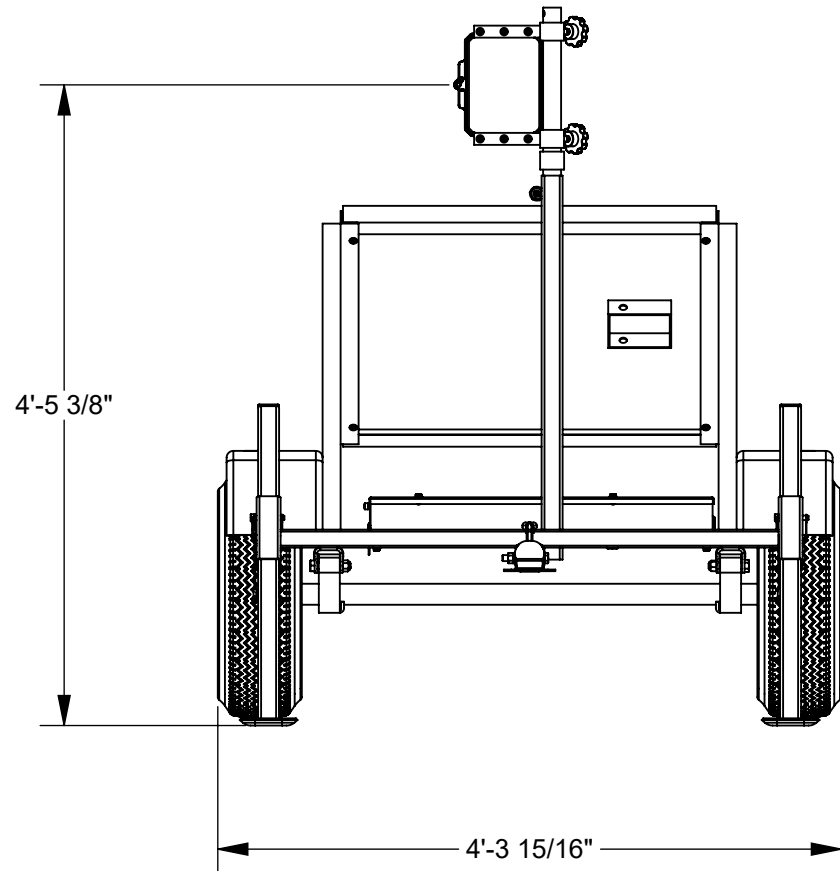


C

C

B



B



A

A

8 7 6 5 4 3 2 1

ZONE	REV.	NOTE	CHANGED BY	ECR	DATE	
APPROVALS		UNLESS OTHERWISE SPECIFIED: INTERPERET DRAWING PER ANSI Y14.5. CRITICAL DIMENSION (XXXX) REMOVE ALL BURRS AND SHARP EDGES FROM 1/32" TO 1/16". THIRD ANGLE PROJECTION:  TOLERANCES: DECIMAL FRACTIONAL ANGULAR X ±.125 X/16 ±1/16 X° ±1° X.X ±.030 X/32 ± 1/32 X.X° ±.5° X.XX ±.020 X.XXX ±.010	NAME: Trailer Assembly ITS QLynx			
DEPARTMENT: INITIALS/DATE			P/N: 222163-C		REV: A	
CM: N/A			AUTHOR: CREATED: 03/27/2016		SIZE B	
DSGN: N/A					SCALE 1:16	
ENG: N/A			5870 TENNYSON ST. ARVADA, CO 303.427.5700 WWW.WANCO.COM		SHEET 1 of 1	
EM: N/A			THIS DRAWING IS PROPERTY OF WANCO AND SHALL NOT BE COPIED, DISTRIBUTED, OR DISCLOSED WITHOUT WRITTEN CONSENT.			
QC: N/A						
OP: N/A						
APPROVALS ABOVE APPLY TO LAST RELEASED REVISION						